



Multi-Protocol MPR 6000 RFID Card

EPC Class 0/1 and 0+ in PCMCIA Type II Pkg.

Compact Efficient Low Cost



Product Features

Standard 68-Pin PCMCIA Type II PC Card™

Multi Protocol

- EPC Class 0 (read only)
- EPC Class 1 (read and program)
- Class 0+ (read and program)
- Firmware Upgrade (UHF G2 & others)

Multiple Antenna Ports

- Two Separate Antennas
- 50 Ohm MMCX Coax Connectors

Certified Compliance to FCC Part 15

- FCC ID: NTTWJMPR6XXX

Just plug it in, install it and read tags...

WJ's MPR 6000 RFID Card provides breakthrough performance in a standard PCMCIA Type II package. These readers represent a new level for size, standards-based compatibility, ease of use and performance. Each RFID Card includes the analog RF, digital circuitry and embedded firmware required for EPC Class 0 and EPC Class 1 operation. The modular design is flexible, and a simple firmware upgrade is all that is required to incorporate future standards like UHF Gen 2. The MPR 6000 leverages the common PCMCIA Type II PC Card™ standard for ease of use. Plug it into any PCMCIA Type II socket and operate it via a simple WJ GUI program. The standard PCMCIA control interface (68-pin parallel bus) coupled with a simple but powerful command set allows for fast creation of custom applications. These readers enable a host of reader/programmer solutions including handhelds, printers, smart packaging, material handling and industrial products for today and the future.



Multi-Protocol MPR 6000 RFID Card

Technical Specifications

Operating Frequency

- UHF 902-928 MHz (U.S. ISM)
- Frequency Hopping

Protocol Support

- 0.5W Transmit Power
- EPC Class 0 and Class 1
- Class 0+ Protocol

Regulatory Compliance by WJ

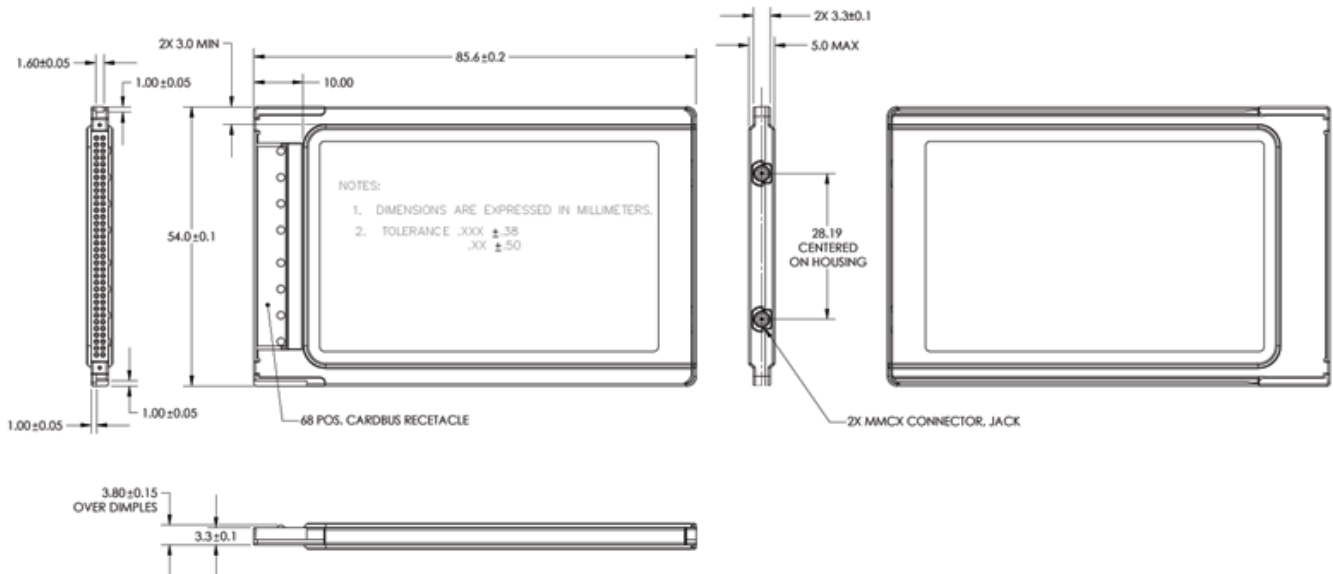
- Part 15 FCC ID: NTTWJMPR6XXX

Power Supply

- 5VDC Nominal
- 150-250mA Average Current
- 750mA Peak Current

Temperature

- 0 to 40 C Operating
- -20 to 70 C Storage



Copyright WJ Communications May 2005. Subject to change without notice. All trademarks, trade names, service marks, and logos remain the property of the rightful owners